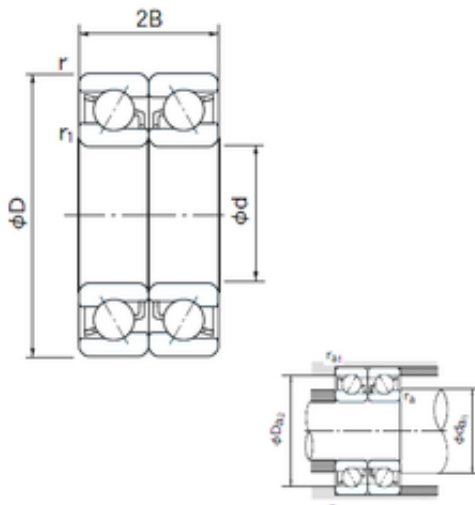




# DRIVESHAFT AND BEARINGS MANUFACTURE C...



7210CDB Bearing 2D drawings and 3D CAD models

50 mm x 90 mm x 20 mm NACHI 7210CDB  
angular contact ball bearings

Bearing No. 7210CDB

Size	50x90x20 mm
Bore Diameter	50 mm
Outer Diameter	90 mm
Width	20 mm
d	50 mm
D	90 mm
B	20 mm
C	20 mm
Angle ( ° )	15 °
a -	1.9 mm
r min.	1.1 mm
r1 min.	0.6 mm
2B	40 mm
da min.	57 mm
Da max.	85 mm
ra max.	0.6 mm
Weight	0.485 Kg
Basic dynamic load rating (C)	70 kN
Basic static load rating (C0)	63,5 kN
(Grease) Lubrication Speed	8800 r/min
Bore Type	Cylindrical Bore
Enclosure	Open
Configuration	Duplex
Bore Size	50 mm
Outside Diameter	90 mm



## DRIVESHAFT AND BEARINGS MANUFACTURE C...

Width	20 mm
Fillet Radius/Chamfer	1.1 mm
r1	0.6 mm
Dynamic Load Rating	70,000 N
Static Load Rating	63,500 N
Limiting Speed - Grease	8,800 rpm
Limiting Speed - Oil	13,000 rpm
da1 (min)	57 mm
da2 (min)	57 mm
Da1 (max)	83 mm
Da2 (max)	85 mm
ra (max)	1 mm
ra1 (max)	0.6 mm