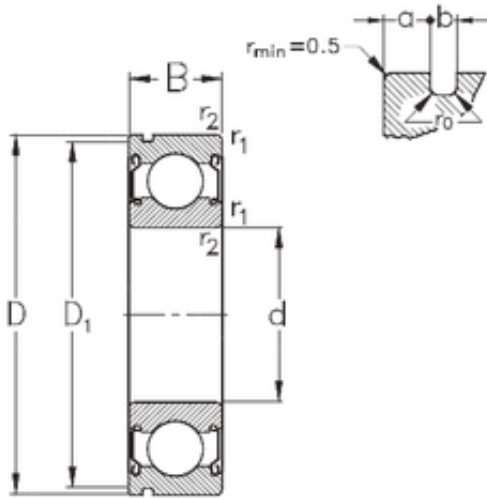




DRIVESHAFT AND BEARINGS MANUFACTURE C...



50 mm x 80 mm x 16 mm NKE 6010-2Z-N deep groove ball bearings

Bearing No. 6010-2Z-N

Size	50x80x16 mm
Bore Diameter	50 mm
Outer Diameter	80 mm
Width	16 mm
d	50 mm
D	80 mm
B	16 mm
C	16 mm
a	3,28 mm
b	1,9 mm
f	1,7 mm
r1 min.	1 mm
r2 min.	1 mm
D1	76,81 mm
D2	86,6 mm
Weight	0,261 Kg
Basic dynamic load rating (C)	21,8 kN
Basic static load rating (C0)	16,6 kN

6010-2Z-N Bearing 2D drawings and 3D CAD models