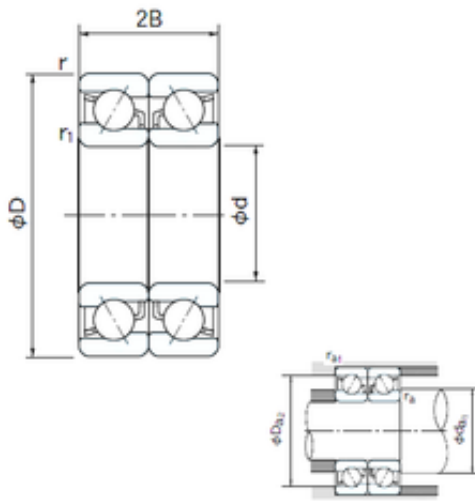




DRIVESHAFT AND BEARINGS MANUFACTURE C...



50 mm x 80 mm x 16 mm NACHI 7010DB
angular contact ball bearings

Bearing No. 7010DB

7010DB Bearing 2D drawings and 3D CAD models

Size	50x80x16 mm
Bore Diameter	50 mm
Outer Diameter	80 mm
Width	16 mm
d	50 mm
D	80 mm
B	16 mm
C	16 mm
Angle (°)	30 °
a	10.8 mm
r min.	1 mm
r1 min.	0.6 mm
2B	32 mm
da min.	55 mm
Da max.	77 mm
ra max.	0.6 mm
Weight	0.285 Kg
Basic dynamic load rating (C)	38,5 kN
Basic static load rating (C0)	40 kN
(Grease) Lubrication Speed	5500 r/min
Bore Type	Cylindrical Bore
Enclosure	Open
Configuration	Duplex
Bore Size	50 mm
Outside Diameter	80 mm



DRIVESHAFT AND BEARINGS MANUFACTURE C...

Width	16 mm
Fillet Radius/Chamfer	1 mm
r1	0.6 mm
Dynamic Load Rating	38,500 N
Static Load Rating	40,000 N
Limiting Speed - Grease	5,500 rpm
Limiting Speed - Oil	7,500 rpm
da1 (min)	55 mm
da2 (min)	55 mm
Da1 (max)	75 mm
Da2 (max)	77 mm
ra (max)	1 mm
ra1 (max)	0.6 mm