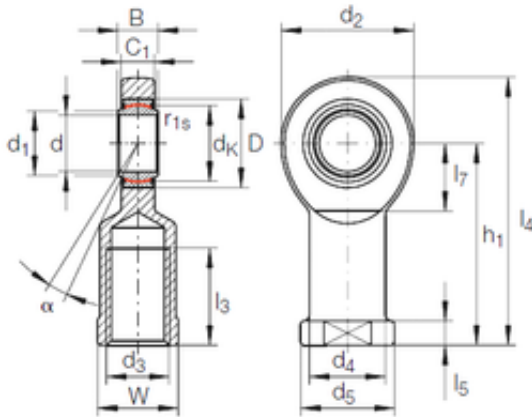




# DRIVESHAFT AND BEARINGS MANUFACTURE C...

30 mm x 47 mm x 22 mm INA GIR 30 UK plain bearings



GIR 30 UK Bearing 2D drawings and 3D CAD models

Bearing No. GIR 30 UK

Size	30x47x22 mm
Bore Diameter	30 mm
Outer Diameter	47 mm
Width	22 mm
d	30 mm
D	47 mm
B	22 mm
d1	34,2 mm
d2	73 mm
d4	40 mm
dk	40,7 mm
h1	110 mm
l3 min.	56 mm
l4 max.	146,5 mm
l5	15 mm
l7 min.	37 mm
r1 min.	0,6 mm
C1	19 mm
W	41 mm
Thread (G)	M30X2
Angle	6 °
d5	50 r/min
Weight	0,93 Kg
Basic dynamic load rating (C)	65,5 kN