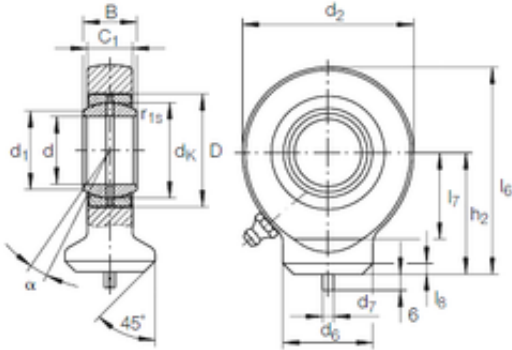




30 mm x 47 mm x 22 mm INA GK 30 DO plain bearings



Bearing No. GK 30 DO

GK 30 DO Bearing 2D drawings and 3D CAD models

Size	30x47x22 mm
Bore Diameter	30 mm
Outer Diameter	47 mm
Width	22 mm
d	30 mm
D	47 mm
B	22 mm
d7	4 mm
d1	34,2 mm
d2	73 mm
d6	40 mm
dk	40,7 mm
h2	51 mm
l6 max.	87,5 mm
l7 min.	37 mm
l8	4 mm
r1 min.	0,6 mm
C1	19 mm
Angle	6 °
Weight	0,64 Kg
Basic dynamic load rating (C)	62 kN