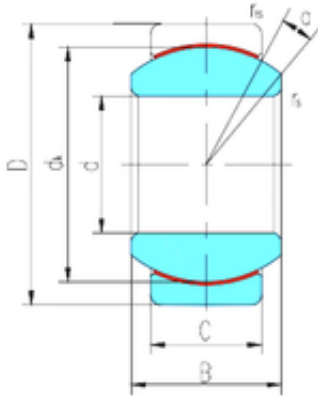




DRIVESHAFT AND BEARINGS MANUFACTURE C...

30 mm x 47 mm x 22 mm LS GE30ET-2RS plain bearings



Bearing No. GE30ET-2RS

Size	30x47x22 mm
Bore Diameter	30 mm
Outer Diameter	47 mm
Width	22 mm
d	30 mm
D	47 mm
B	22 mm
C	18 mm
dk	40,7 mm
r min.	0,6 mm
r1 min.	0,6 mm
Angle	6 °
Weight	0,149 Kg
Basic dynamic load rating (C)	110 kN

GE30ET-2RS Bearing 2D drawings and 3D CAD models