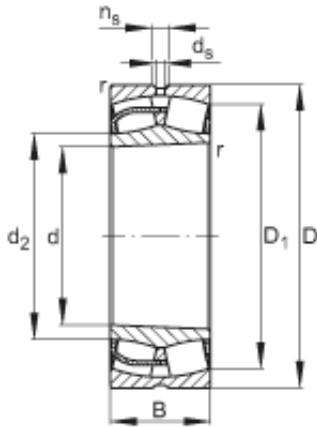




DRIVESHAFT AND BEARINGS MANUFACTURE C...



200 mm x 420 mm x 138 mm FAG 22340-E1-K spherical roller bearings

Bearing No. 22340-E1-K

22340-E1-K Bearing 2D drawings and 3D CAD models

Size	200x420x138 mm
Bore Diameter	200 mm
Outer Diameter	420 mm
Width	138 mm
d	200 mm
D	420 mm
B	138 mm
D ₁	355,1 mm
D _{a max}	400 mm
d ₂	248,8 mm
d _{a min}	220 mm
d _s	12,5 mm
n _s	23,5 mm
r _{a max}	4 mm
r _{min}	5 mm
m	87,4 kg / Weight
C _r	2440000 N / Dynamic load rating (radial)
e	0,34
Y ₁	1,98
Y ₂	2,94
C _{0r}	2950000 N / Static load rating (radial)
Y ₀	1,93



DRIVESHAFT AND BEARINGS MANUFATURE C...

n_G	1830 1/min / Limiting speed
n_B	1100 1/min
C_{ur}	225000 N / Fatigue limit load, radial