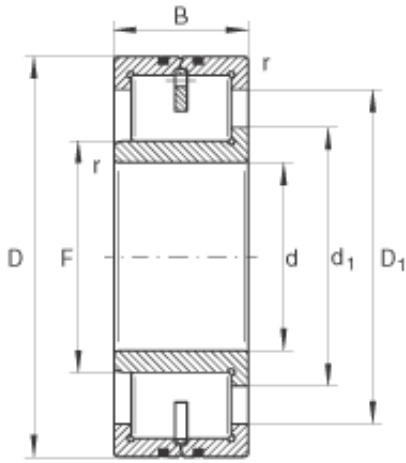




# DRIVESHAFT AND BEARINGS MANUFACTURE C...



190 mm x 400 mm x 132 mm INA  
LSL192338-TB cylindrical roller bearings

Bearing No. LSL192338-TB

LSL192338-TB Bearing 2D drawings and 3D CAD models

Size	190x400x132 mm
Bore Diameter	190 mm
Outer Diameter	400 mm
Width	132 mm
d	190 mm
D	400 mm
B	132 mm
D <sub>1</sub>	325,5 mm
d <sub>1</sub>	250 mm
F	224,43 mm
r <sub>min</sub>	5 mm
s	7 mm / Axial displacement
m	78,1 kg / Weight
C <sub>r</sub>	2100000 N / Dynamic load rating (radial)
C <sub>0r</sub>	2750000 N / Static load rating (radial)
C <sub>ur</sub>	295000 N / Fatigue limit load, radial
n <sub>G</sub>	3400 1/min / Limiting speed
Category	Bearings
Inventory	0.0
Manufacturer Name	SCHAEFFLER GROUP
Minimum Buy Quantity	N/A
Weight / Kilogram	78.1
EAN	4047643200592



# DRIVESHAFT AND BEARINGS MANUFATURE C...

Product Group	
---------------	--

	B04144
--	--------