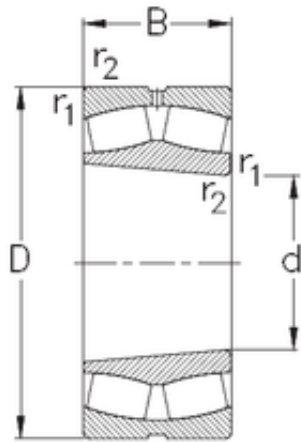




DRIVESHAFT AND BEARINGS MANUFACTURE C...



190 mm x 400 mm x 132 mm NKE 22338-K-MB-W33 spherical roller bearings

Bearing No. 22338-K-MB-W33

Size	190x400x132 mm
Bore Diameter	190 mm
Outer Diameter	400 mm
Width	132 mm
d	190 mm
D	400 mm
B	132 mm
C	132 mm
r1 min.	5 mm
r2 min.	5 mm
Weight	82,9 Kg
Basic dynamic load rating (C)	1920 kN
Basic static load rating (C0)	2710 kN
Limiting speed	1600 r/min
Calculation factor (e)	0,36
Calculation factor (Y0)	1,9
Calculation factor (Y1)	1,9

22338-K-MB-W33 Bearing 2D drawings and 3D CAD models