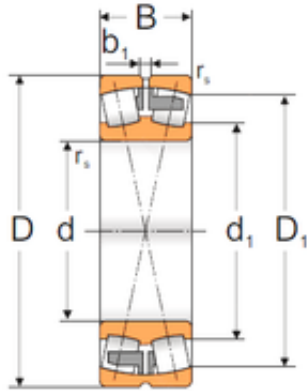




DRIVESHAFT AND BEARINGS MANUFACTURE C...



190 mm x 400 mm x 132 mm Loyal 22338 MAW33 spherical roller bearings

Bearing No. 22338 MAW33

22338 MAW33 Bearing 2D drawings and 3D CAD models

Size	190x400x132 mm
Bore Diameter	190 mm
Outer Diameter	400 mm
Width	132 mm
d	190 mm
D	400 mm
B	132 mm
C	132 mm
b1	22 mm
d1	255 mm
r5 min.	5 mm
D1	328,5 mm
Weight	86,6 Kg
Basic dynamic load rating (C)	1816 kN
Basic static load rating (C0)	2675 kN
(Grease) Lubrication Speed	850 r/min
(Oil) Lubrication Speed	1100 r/min
Calculation factor (e)	0,36
Calculation factor (Y0)	1,81
Calculation factor (Y1)	1,85