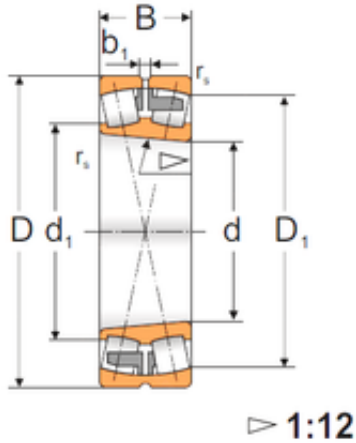




DRIVESHAFT AND BEARINGS MANUFACTURE C...



190 mm x 400 mm x 132 mm Loyal 22338
KMAW33 spherical roller bearings

Bearing No. 22338 KMAW33

Size	190x400x132 mm
Bore Diameter	190 mm
Outer Diameter	400 mm
Width	132 mm
d	190 mm
D	400 mm
B	132 mm
C	132 mm
b1	22 mm
d1	255 mm
r5 min.	5 mm
D1	328,5 mm
Weight	84,8 Kg
Basic dynamic load rating (C)	1816 kN
Basic static load rating (C0)	2675 kN
(Grease) Lubrication Speed	850 r/min
(Oil) Lubrication Speed	1100 r/min
Calculation factor (e)	0,36
Calculation factor (Y0)	1,81
Calculation factor (Y1)	1,85

22338 KMAW33 Bearing 2D drawings and 3D CAD models