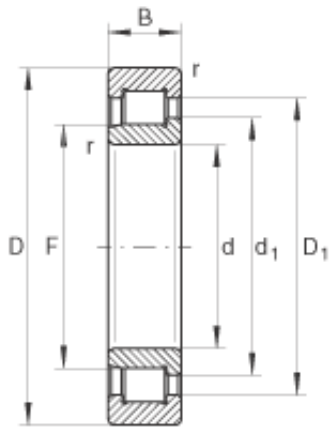




DRIVESHAFT AND BEARINGS MANUFACTURE C...



190 mm x 400 mm x 132 mm INA SL192338-TB cylindrical roller bearings

Bearing No. SL192338-TB

Size	190x400x132 mm
Bore Diameter	190 mm
Outer Diameter	400 mm
Width	132 mm
d	190 mm
D	400 mm
B	132 mm
D ₁	326,8 mm
d ₁	250 mm
F	224,43 mm
r _{min}	5 mm
s	7 mm / Axial displacement
m	80,3 kg / Weight
C _r	2220000 N / Dynamic load rating (radial)
C _{0r}	2950000 N / Static load rating (radial)
C _{ur}	315000 N / Fatigue limit load, radial
n _G	1090 1/min / Limiting speed

SL192338-TB Bearing 2D drawings and 3D CAD models