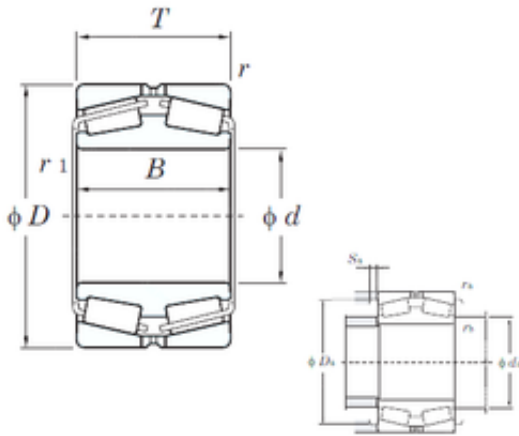




DRIVESHAFT AND BEARINGS MANUFACTURE C...

180 mm x 280 mm x 74 mm KOYO 45236 tapered roller bearings



Bearing No. 45236

45236 Bearing 2D drawings and 3D CAD models

Size	180x280x74 mm
Bore Diameter	180 mm
Outer Diameter	280 mm
Width	74 mm
d	180 mm
D	280 mm
T	74 mm
B	74 mm
r min.	2,5 mm
r1 min.	3 mm
da max	208 mm
Db min.	250 mm
ra max.	2 mm
rb max.	2,5 mm
Db max	268 mm
Weight	16,8 Kg
Basic dynamic load rating (C)	575 kN
Basic static load rating (C0)	1050 kN
(Grease) Lubrication Speed	950 r/min
(Oil) Lubrication Speed	1300 r/min
Calculation factor (e)	0,28
Calculation factor (Y0)	2,37
Bearing No.	45236
r(min)	2.5
r1(min)	3



DRIVESHAFT AND BEARINGS MANUFACTURE C...

Cr	722
C0r	1050
Cu	62.5
Grease lub.	950
Oil lub.	1300
da(max)	208
Da(max)	268
Da(min)	250
Sa(min)	5
ra(max)	2
rb(max)	2.5
e	0.28
Y2	2.43
Y3	3.61
Y0	2.37
(Refer.) Mass(kg)	16.8