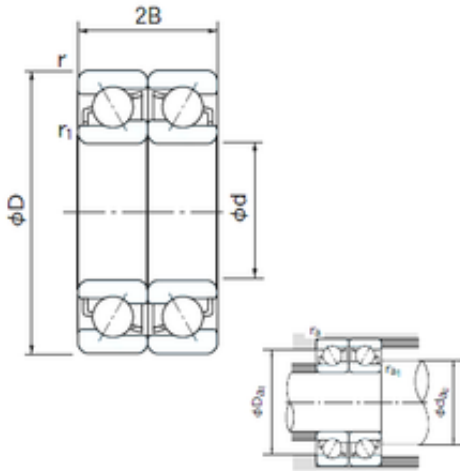




# DRIVESHAFT AND BEARINGS MANUFACTURE C...



17 mm x 40 mm x 12 mm NACHI 7203CDF  
angular contact ball bearings

Bearing No. 7203CDF

7203CDF Bearing 2D drawings and 3D CAD models

Size	17x40x12 mm
Bore Diameter	17 mm
Outer Diameter	40 mm
Width	12 mm
d	17 mm
D	40 mm
B	12 mm
C	12 mm
Angle ( ° )	15 °
a -	2.7 mm
r min.	0.6 mm
r1 min.	0.3 mm
2B	24 mm
da min.	22 mm
Da max.	37.4 mm
ra max.	0.3 mm
Weight	0.070 Kg
Basic dynamic load rating (C)	17,8 kN
Basic static load rating (C0)	11,8 kN
(Grease) Lubrication Speed	22000 r/min
Bore Type	Cylindrical Bore
Enclosure	Open
Configuration	Duplex
Bore Size	17 mm
Outside Diameter	40 mm



## DRIVESHAFT AND BEARINGS MANUFACTURE C...

Width	12 mm
Fillet Radius/Chamfer	0.6 mm
r1	0.3 mm
Dynamic Load Rating	17,800 N
Static Load Rating	11,800 N
Limiting Speed - Grease	22,000 rpm
Limiting Speed - Oil	31,000 rpm
da1 (min)	22 mm
da2 (min)	22 mm
Da1 (max)	35 mm
Da2 (max)	37.4 mm
ra (max)	0.6 mm
ra1 (max)	0.3 mm