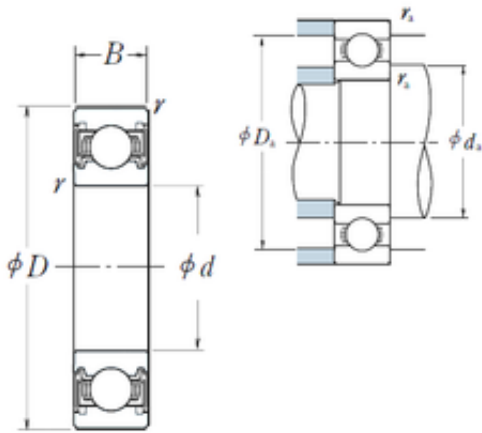




DRIVESHAFT AND BEARINGS MANUFACTURE C...



17 mm x 40 mm x 12 mm NSK 6203VV deep groove ball bearings

Bearing No. 6203VV

6203VV Bearing 2D drawings and 3D CAD models

Size	17x40x12 mm
Bore Diameter	17 mm
Outer Diameter	40 mm
Width	12 mm
d	17 mm
D	40 mm
B	12 mm
C	12 mm
r min.	0,6 mm
da min.	21 mm
da max	23,5 mm
Da max.	36 mm
ra max.	0,6 mm
Weight	0,067 Kg
Basic dynamic load rating (C)	9,55 kN
Basic static load rating (C0)	4,8 kN
(Grease) Lubrication Speed	17 000 r/min
Category	Single Row Ball Bearings
Inventory	0.0
Manufacturer Name	NSK
Minimum Buy Quantity	N/A
Weight / Kilogram	0.03
EAN	0029176014154
Product Group	B00308
Enclosure	2 Seals



DRIVESHAFT AND BEARINGS MANUFACTURE C...

Precision Class	ABEC 1 ISO P0
Maximum Capacity / Filling Slot	No
Rolling Element	Ball Bearing
Snap Ring	No
Internal Special Features	No
Cage Material	Steel
Enclosure Type	Non-Contact Seal
Internal Clearance	C0-Medium
Inch - Metric	Metric
Long Description	17MM Bore; 40MM Outside Diameter; 12MM Outer Race Diameter; 2 Seals; Ball Bearing; ABEC 1 ISO P0; No Filling Slot; No Snap Ring; No Internal Special Features
Category	Single Row Ball Bearing
UNSPSC	31171504
Harmonized Tariff Code	8482.10.50.68
Noun	Bearing
Keyword String	Ball
Manufacturer URL	http://www.nskamericas.com
Manufacturer Item Number	6203VV
Weight / LBS	0.065
Bore	0.669 Inch 17 Millimeter
Outer Race Width	0.472 Inch 12 Millimeter
Outside Diameter	1.575 Inch 40 Millimeter
SRI	3.41
hidYobi	6203VV
LangID	1
D_	40
SREX	0.04
B_	12



DRIVESHAFT AND BEARINGS MANUFACTURE C...

da min	21
hidTable	ecat_NSRDGB
SRE	3.58
mass	0.067
GRS rpm	17000
ra	0.6
SRIX	0.02
D_a	36
SRIN	0
C0	4.8
fo	13.2
SREN	0
DE_	35.747
Prod_Type3	DGBB_SR_VV
DA_	6.747
bomp	0
Z_	8
yobi	6203VV
C_conv	9550
ALPHA_	0
SDM_	29
r	0.6
KBRG	6151
SBRG	2
DI_	22.253