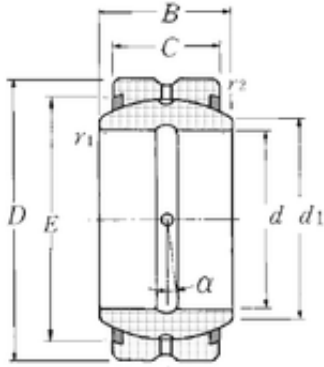




DRIVESHAFT AND BEARINGS MANUFACTURE C...

17 mm x 30 mm x 14 mm NTN SA1-17BSS
plain bearings



Bearing No. SA1-17BSS

Size	17x30x14 mm
Bore Diameter	17 mm
Outer Diameter	30 mm
Width	14 mm
d	17 mm
D	30 mm
B	14 mm
C	10 mm
d1	21,2 mm
r1 min.	0,6 mm
r2 min.	0,6 mm
E	25,6 mm
Angle	10 °
Weight	0,049 Kg
Category	Bearings
Inventory	0.0
Manufacturer Name	NTN
Minimum Buy Quantity	N/A
Weight / Kilogram	0.038
Product Group	B04264

SA1-17BSS Bearing 2D drawings and 3D CAD models