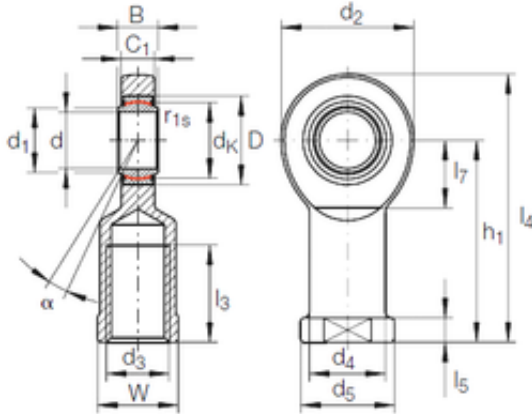




# DRIVESHAFT AND BEARINGS MANUFACTURE C...

17 mm x 30 mm x 14 mm INA GIR 17 UK plain bearings



GIR 17 UK Bearing 2D drawings and 3D CAD models

Bearing No. GIR 17 UK

Size	17x30x14 mm
Bore Diameter	17 mm
Outer Diameter	30 mm
Width	14 mm
d	17 mm
D	30 mm
B	14 mm
d1	20,7 mm
d2	46 mm
d4	24 mm
dk	25 mm
h1	67 mm
l3 min.	34 mm
l4 max.	90 mm
l5	10 mm
l7 min.	23 mm
r1 min.	0,3 mm
C1	11 mm
W	27 mm
Thread (G)	M16
Angle	10 °
d5	30 r/min
Weight	0,22 Kg
Basic dynamic load rating (C)	22,4 kN