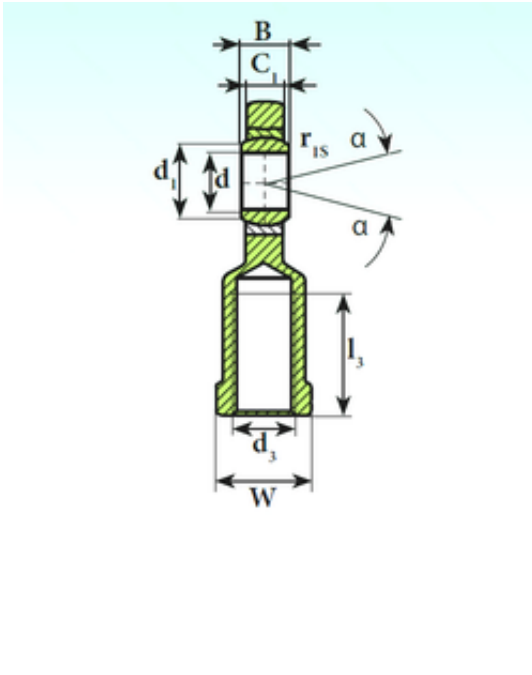




DRIVESHAFT AND BEARINGS MANUFACTURE C...



SI 17 C Bearing 2D drawings and 3D CAD models

17 mm x 30 mm x 14 mm ISB SI 17 C plain bearings

Bearing No. SI 17 C

Size	17x30x14 mm
Bore Diameter	17 mm
Outer Diameter	30 mm
Width	14 mm
d	17 mm
D	30 mm
B	14 mm
d1	20,7 mm
d2	46 mm
d4	23 mm
dk	25 mm
h1	67 mm
l3 min.	34 mm
l4 max.	90 mm
l5	10 mm
l7 min.	23 mm
r min.	0,3 mm
C1	11 mm
W	24 mm
Thread (G)	M16x2
Angle	10 °
d5	28 r/min
Weight	0,22 Kg
Basic dynamic load rating (C)	22,40 kN