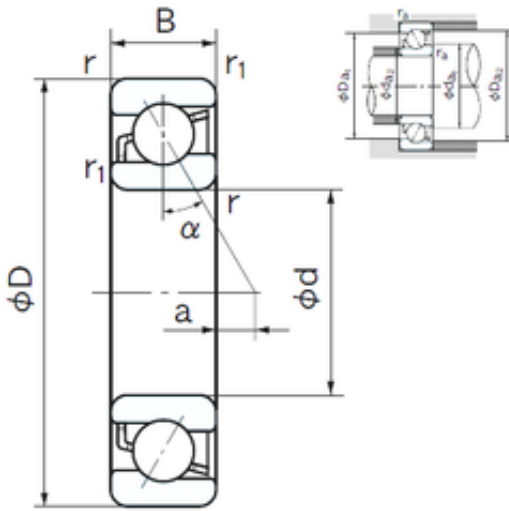




DRIVESHAFT AND BEARINGS MANUFACTURE C...



110 mm x 240 mm x 50 mm NACHI 7322
angular contact ball bearings

Bearing No. 7322

7322 Bearing 2D drawings and 3D CAD models

Size	110x240x50 mm
Bore Diameter	110 mm
Outer Diameter	240 mm
Width	50 mm
d	110 mm
D	240 mm
B	50 mm
C	50 mm
Angle (°)	30 °
a	25.5 mm
r min.	3 mm
r1 min.	1.1 mm
da min.	124 mm
Da max.	226 mm
ra max.	2.5 mm
Weight	11.0 Kg
Basic dynamic load rating (C)	244 kN
Basic static load rating (C0)	239 kN
(Grease) Lubrication Speed	2600 r/min
Configuration	Single Row
Enclosure	Open
Bore Type	Cylindrical Bore
Bore Size	110 mm
Outside Diameter	240 mm
Width	50 mm



DRIVESHAFT AND BEARINGS MANUFACTURE C...

Fillet Radius/Chamfer	3 mm
r1	1.1 mm
Dynamic Load Rating	244,000 N
Static Load Rating	239,000 N
Limiting Speed - Grease	2,600 rpm
Limiting Speed - Oil	3,400 rpm
da1 (min)	124 mm
da2 (min)	117 mm
Da1 (max)	226 mm
Da2 (max)	233 mm
ra (max)	2.5 mm
ra1 (max)	1 mm