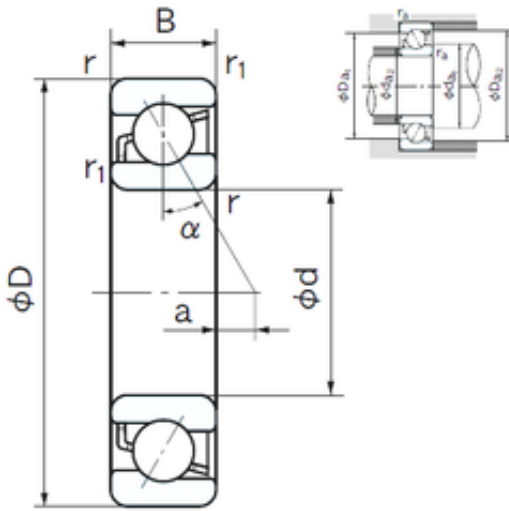




# DRIVESHAFT AND BEARINGS MANUFACTURE C...



7322C Bearing 2D drawings and 3D CAD models

110 mm x 240 mm x 50 mm NACHI 7322C  
angular contact ball bearings

Bearing No. 7322C

Size	110x240x50 mm
Bore Diameter	110 mm
Outer Diameter	240 mm
Width	50 mm
d	110 mm
D	240 mm
B	50 mm
C	50 mm
Angle ( ° )	15 °
a -	4.7 mm
r min.	3 mm
r1 min.	1.1 mm
da min.	124 mm
Da max.	226 mm
ra max.	2.5 mm
Weight	11.0 Kg
Basic dynamic load rating (C)	237 kN
Basic static load rating (C0)	227 kN
(Grease) Lubrication Speed	4600 r/min
Configuration	Single Row
Enclosure	Open
Bore Type	Cylindrical Bore
Bore Size	110 mm
Outside Diameter	240 mm
Width	50 mm



## DRIVESHAFT AND BEARINGS MANUFACTURE C...

Fillet Radius/Chamfer	3 mm
r1	1.1 mm
a	-4.7 mm
Dynamic Load Rating	237,000 N
Static Load Rating	227,000 N
Limiting Speed - Grease	4,600 rpm
Limiting Speed - Oil	6,300 rpm
da1 (min)	124 mm
da2 (min)	124 mm
Da1 (max)	226 mm
Da2 (max)	233 mm
ra (max)	2.5 mm
ra1 (max)	1 mm